

# JET

**JWDS-1632-M**

**DRUM SANDER**

JWDS-1632-M....723520KM....1~230V, 50Hz

## PARTS LIST

**JPW (Tool) AG**

Tämperlistrasse 5  
CH-8117 Fällanden  
Switzerland

Phone +41 44 806 47 48

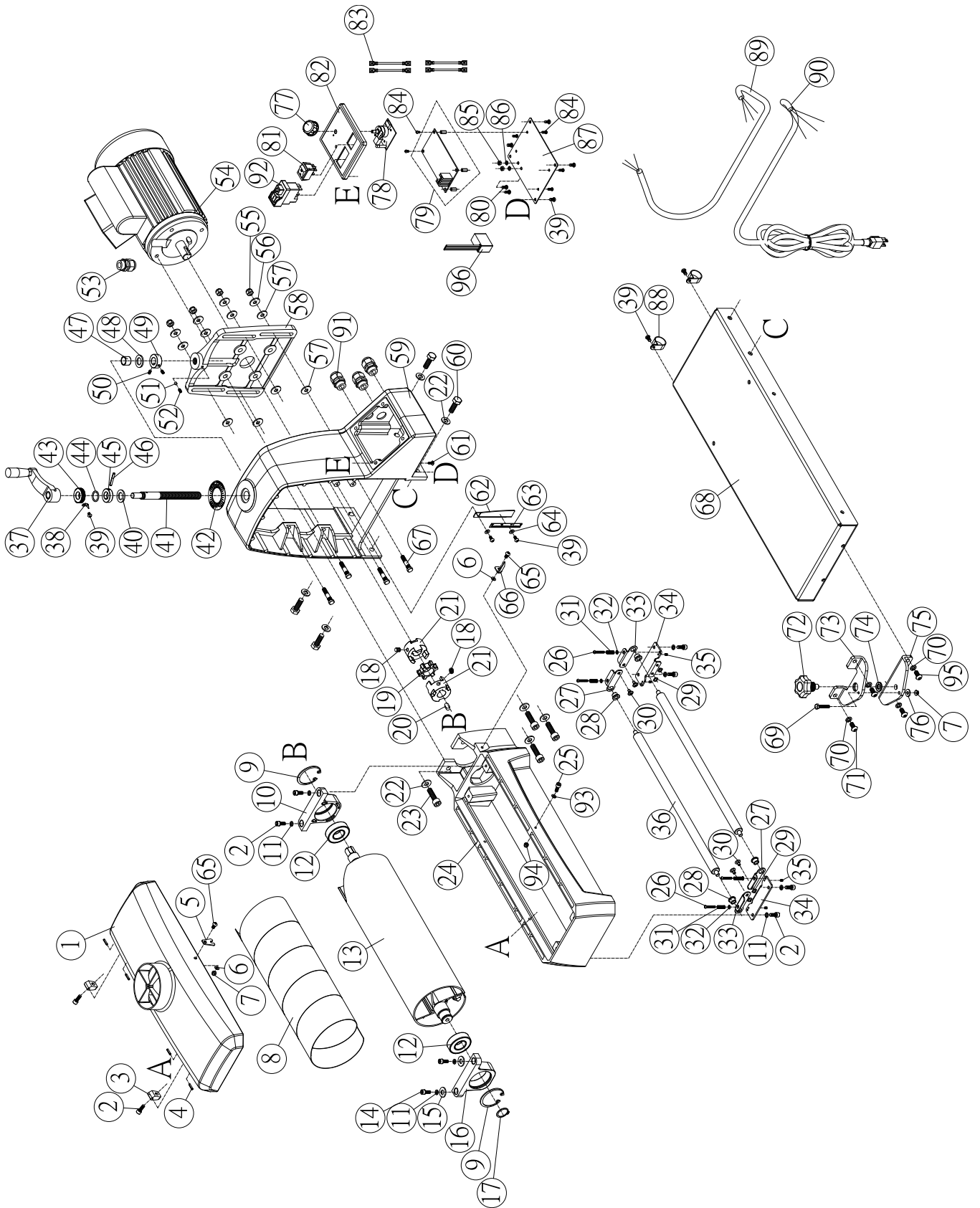
Fax +41 44 806 47 58

[www.jettools.com](http://www.jettools.com)



P-723520KM 2017-1

# JWDS-1632-M Head Assembly – Exploded View

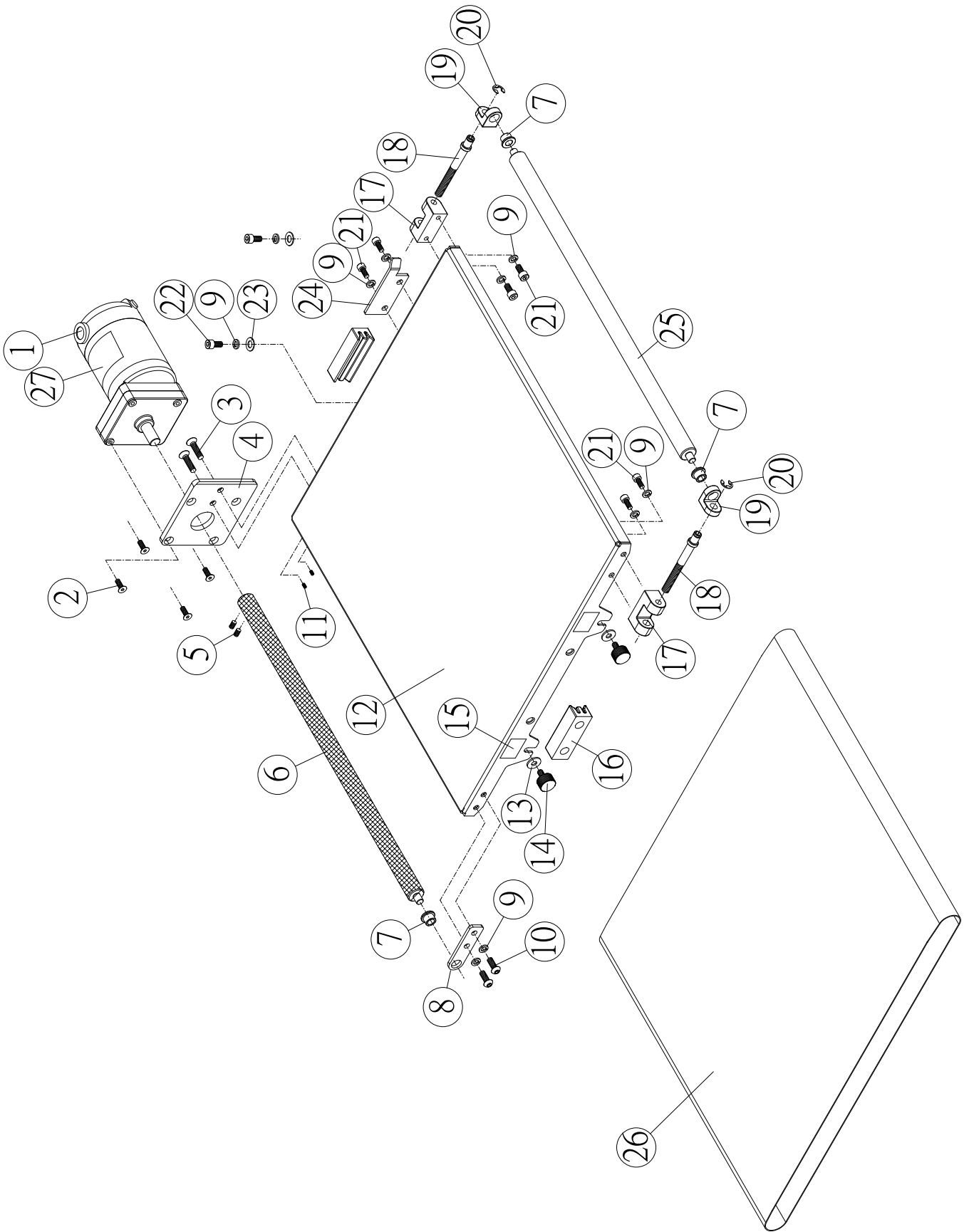


## JWDS-1632-M Head Assembly – Parts List

Index No	Part No	Description	Size	Qty
1.....	JWDS1632-101 .....	Dust Hood.....		1
2.....	TS-1503041.....	Socket Head Cap Screw .....	M6 x 1.0P x 16L .....	9
3.....	JWDS1632-103 .....	Drum Carriage Hinge .....		2
4.....	40317-15 .....	Spring Pin.....	3 x 14L .....	4
5.....	JWDS1632-105E .....	Locking Plate.....		1
6.....	F002636.....	Flat Washer, BO .....	6 x 12 x 1T .....	2
7.....	F001753.....	Nyloc Nut BO .....	M6 x 1.0P .....	2
8.....	JWDS1632-108 .....	Abrasive .....		1
9.....	PM2244-114 .....	Retainer Ring (Re:13A) .....	RTW-52 .....	2
10.....	JWDS1632-110 .....	Inboard Bearing Housing (Re:13A) .....		1
11.....	TS-2361061.....	Lock Washer .....	M6.....	9
12.....	PM2244-115 .....	Ball Bearing (Re:13A).....	6205VV.....	2
13.....	JWDS1632-113 .....	Drum (Re:13A).....		1
13A .....	JWDS1632-113A.....	Drum Assembly (includes #2, 9-21).....		
14.....	F005384.....	Socket Head Cap Screw .....	M6 x 1.0P x 25L .....	2
15.....	JWDS1632-115 .....	Flat Washer.....	6.5 x 19 x 3t .....	2
16.....	JWDS1632-116 .....	Outboard Bearing Housing (Re:13A) .....		1
17.....	PM2244-112 .....	Retainer Ring (Re:13A) .....	STW-25 .....	1
18.....	F010408.....	Socket Set Screw .....	M8 x 1.25P x 10L .....	2
19.....	PM2244-139 .....	Rubber Cushion (Re:13A) .....		1
20.....	JWDS1632-120 .....	Key (Re:13A) .....	8 x 7 x 20L .....	2
21.....	PM2244-138 .....	Coupling (Re:13A).....		2
22.....	F002643.....	Flat Washer.....	10 x 20 x 2.0T .....	8
23.....	F005430.....	Socket Head Cap Screw .....	M10 x 1.5P x 35L .....	4
24.....	JWDS1632-124 .....	Drum Carriage .....		1
25.....	JWDS1632-125E .....	Socket Head Cap Screw .....	M5 x 0.5P x 30L.....	1
26.....	JWDS1632-126 .....	Phillips Round Head Screw .....	M4 x 0.7P x 25L .....	4
27.....	PM2244-129 .....	Left Tension Roller Suspension Bracket.....		2
28.....	PM2244-130 .....	Oilite Bushing.....		4
30.....	PM2244-132 .....	Shoulder Screw.....		4
29.....	TS-1550041.....	Flat Washer.....	6.5 x 13 x 1T .....	4
31.....	PM2244-125 .....	Compression Spring.....		4
32.....	TS-1550021.....	Flat Washer.....	4.2 x 8 x 0.8T .....	4
33.....	PM2244-131 .....	Right Tension Roller Suspension Bracket .....		2
34.....	PM2244-128 .....	Tension Roller Bracket.....		2
35.....	JWDS1632-135 .....	Socket Head Set Screw w/LocTite .....	M4 x 0.7P x 5L .....	4
36.....	JWDS1632-136 .....	Tension Roller .....		2
37.....	JWDS1632-137 .....	Crank Handle .....		1
38.....	JWDS1632-138 .....	Pointer .....		1
39.....	JWDS1632-139 .....	Phillips Round Head Screw .....	M5 x 0.8P x 8L .....	9
40.....	JWDS1632-140 .....	Oilite Washer .....		1
41.....	JWDS1632-141 .....	Height Adjusting Screw.....		1
42.....	JWDS1632-142 .....	Incremental Depth Scale .....		1
43.....	JWDS1632-143 .....	Dial.....		1
44.....	JWDS1632-144 .....	O-Ring.....	P11 .....	1
45.....	JWDS1632-145 .....	Collar .....		1
46.....	JWDS1632-146 .....	Spring Pin.....	4 x 30L .....	1
47.....	JWDS1632-147 .....	Oilite Bushing.....		1
48.....	JWDS1632-148 .....	Nylon Washer .....		1
49.....	JWDS1632-149 .....	Collar .....		1
50.....	TS-1523031.....	Socket Head Set Screw .....	M6 x 1.0P x 10L.....	2
51.....	PM2244-184 .....	PU Block.....		1
52.....	5302731.....	Socket Head Set Screw .....	M8 x 1.25P x 6L .....	1
53.....	JWDS1632-153E .....	Strain Relief .....	PG 13.5.....	1
54.....	JWDS1632-154E .....	Motor.....	1.5HP, 230V, 50Hz .....	1

Index No	Part No	Description	Size	Qty
	JWDS1632-154SC	Starting Capacitor (not shown)		1
	JWDS1632-154SCC	Starting Capacitor Cover (not shown)		1
	JWDS1632-154FC	Fan Cover (not shown)		1
	JWDS1632-154CF	Cooling Fan (not shown)		1
55	TS-1541031	Nyloc Nut	M8 x 1.25P	4
56	TS-1550061	Flat Washer	8.2 x 23 x 2T	4
57	JWDS1632-157	Oilite Washer		8
58	JWDS1632-158	Motor Plate		1
59	JWDS1632-159	Motor Shroud		1
60	TS-1491041	Hex Cap Screw	M10 x 1.5P x 30L	4
61	JWDS1632-161	Self Tapping Screw	M4 x 15L	4
62	JWDS1632-162	Depth Scale Bracket (includes #63)		1
63	JWDS1632-163	Depth Scale		1
64	TS-1550031	Flat Washer	5.1 x 12 x 1T	2
65	TS-1534032	Phillips Pan Hd Machine Screw	M6 x 1.0P x 10L	1
66	JWDS1632-166	Pointer		1
67	JWDS1632-167	Stud		4
68	JWDS1632-168	Base		1
69	TS-1482061	Hex Cap Screw	M6 x 1.0P x 30L	1
70	TS-2361081	Lock Washer	M8	4
71	TS-2248162	Socket Head Button Screw	M8 x 1.25 x 16L	2
72	JWDS1632-172	Knob		1
73	JWDS1632-173	Parallel Adjust Moving Bracket		1
74	JWDS1632-174	Oilite Washer		1
75	JWDS1632-175	Parallel Adjust Fixed Bracket		1
76	TS-1550041	Flat Washer	6.5 x 19 x 2T	1
77	PM2244-196	Knob		1
78	JWDS1632-178	Potentiometer		1
79	JWDS1632-179E	Circuit Board		1
80	TS-1533042	Phillips Pan Hd Machine Screw	M5 x 0.8P x 12L	2
81	JWDS1632-181E	On/Off Switch		1
82	JWDS1632-182E	Control Panel		1
83	JWDS1632-183	Internal Connection Cable		1
84	TS-1531012	Phillips Pan Hd Machine Screw	M3 x 0.5P x 5L	8
85	TS-1540031	Hex Nut	M5 x 0.8P	2
86	F002097	Lock Washer, Ext. Tooth	M5	2
87	JWDS1632-187	Circuit Board Holder		1
88	JWDS1632-188E	Cable Management	ACC-5-B	2
89	JWDS1632-189E	Motor Cable		1
90	JWDS1632-190E	Power Cable		1
91	JWDS1632-191E	Strain Relief	M20	2
92	JWDS1632-192E	Power Switch		1
93	TS-1550031	Flat Washer	5 x 12 x 1T	1
94	TS-1541011	Nyloc Nut	M5 x 0.8P	1
95	TS-2248202	Socket Head Button Screw	M8 x 1.25 x 20L	2
96	JWDS1632-196E	EMC Filter		1
	JWDS1632-194	JET Logo (not shown)	113x47mm	1
	JWDS1632-195E	Motor Label (not shown)		1
	JWDS1632-196E	Control Panel Label (not shown)		1
	JWDS1632-197E	Left Parallel Adjust Label (not shown)		1
	JWDS1632-198E	Right Parallel Adjust Label (not shown)		1
	LM000237E	ID Label, JWDS-1632 (not shown)		1
	LM000238E	Warning Label (not shown)		1

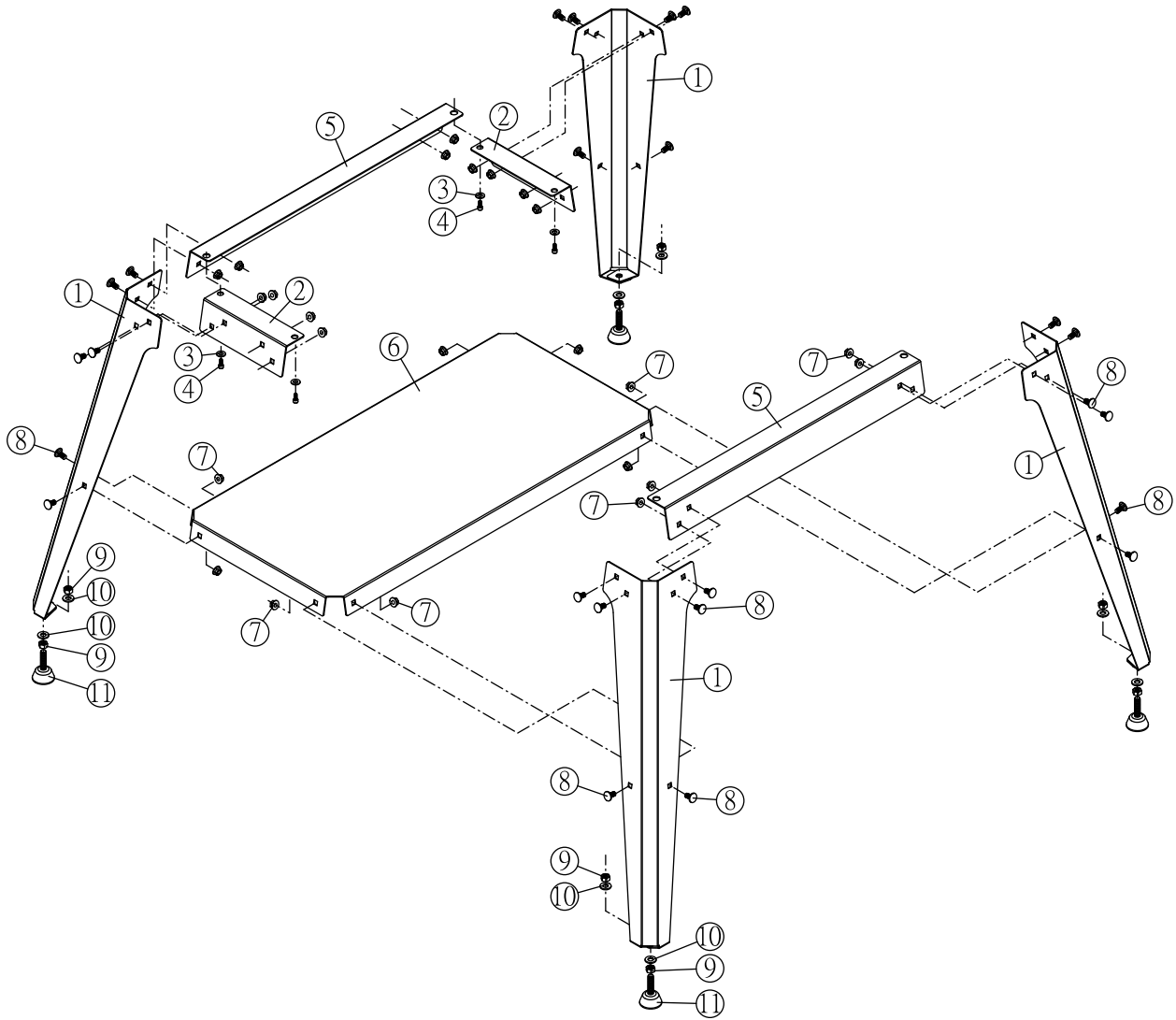
# JWDS-1632-M Conveyor Table Assembly – Exploded View



## JWDS-1632-M Conveyor Table Assembly – Parts List

Index No	Part No	Description	Size	Qty
1	JWDS1632-201E	Belt Motor		1
2	F010839	Socket Head Flat Screw	#10-32 x 1/2" L	4
3	F010985	Socket Head Flat Screw	M6 x 1.0P x 35L	2
4	JWDS1632-204	Belt Motor Plate		1
5	TS-1522011	Socket Head Set Screw	M5 x 0.8P x 5L	2
6	JWDS1632-206	Drive Roller		1
7	PM2244-130	Oilite Bushing		3
8	JWDS1632-208	Drive Roller Bracket		1
9	TS-2361061	Lock Washer	M6	8
10	TS-2246162	Socket Head Button Screw	M6 x 1.0P x 16L	2
11	TS-1521021	Socket Head Set Screw	M4 x 0.7P x 5L	2
12	JWDS1632-212	Conveyor Table		1
13	TS-1550041	Flat Washer	6.4 x 19 x 1.5T	2
14	JWDS1632-214	Table Lock Knob		2
15	LM000236	Caution Label – Table Lock		2
16	PM2244-213	Tracker Kit (set of 2)		2
17	JWDS1632-217	Bracket		2
18	JWDS1632-218	Adjusting Rod		2
19	JWDS1632-219	Driven Roller Bracket		2
20	JWDS1632-220	Retaining Ring	ETW-7	2
21	TS-1503031	Socket Head Cap Screw	M6 x 1.0P x 12L	6
22	TS-1503041	Socket Head Cap Screw	M6 x 1.0P x 16L	2
23	TS-0680021	Flat Washer	1/4" x 16 x 2T	2
24	JWDS1632-224	Guide Plate		1
25	JWDS1632-225	Driven Roller		1
26	JWDS1632-226	Conveyor Belt		1
27	JWDS1632-227E	Belt Motor Label		1

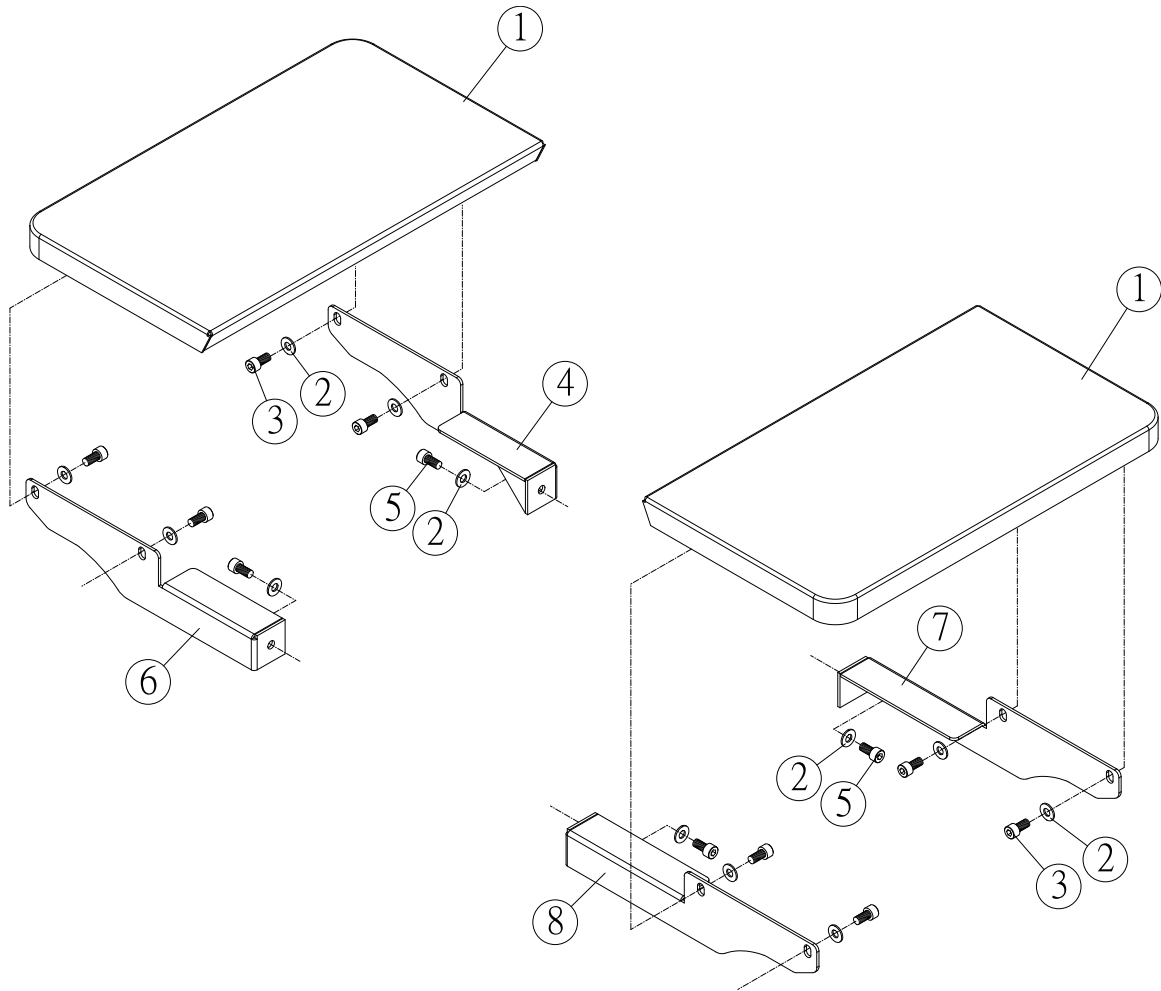
## JWDS-1632-M Open Stand Assembly – Exploded View



### JWDS-1632-M Open Stand Assembly – Parts List

Index No	Part No	Description	Size	Qty
.....	723520S.....	Open Stand Assembly (includes #1-11).....	.....	1
1.....	JWDS1632-301 .....	Leg .....	.....	4
2.....	JWDS1632-302 .....	Short Rail .....	.....	2
3.....	TS-1550061.....	Flat Washer .....	8.3 x 18 x 1.5T.....	4
4.....	TS-1504031.....	Socket Head Cap Screw .....	M8 x 1.25P x 16L .....	4
5.....	JWDS1632-305 .....	Long Rail .....	.....	2
6.....	JWDS1632-306 .....	Shelf.....	.....	1
7.....	JWDS1632-307 .....	Flange Lock Nut.....	M8 x 1.25P .....	24
8.....	JWDS1632-308 .....	Carriage Bolt.....	M8 x 1.25P x 16L.....	24
9.....	TS-1540071.....	Hex Nut .....	M10 x 1.5P.....	8
10.....	TS-1550071.....	Flat Washer .....	10 x 20 x 2.0T.....	8
11.....	JWDS1632-311 .....	Leveling Foot .....	.....	4

## JWDS-1632-M Infeed and Outfeed Tables (OPTIONAL) – Exploded View

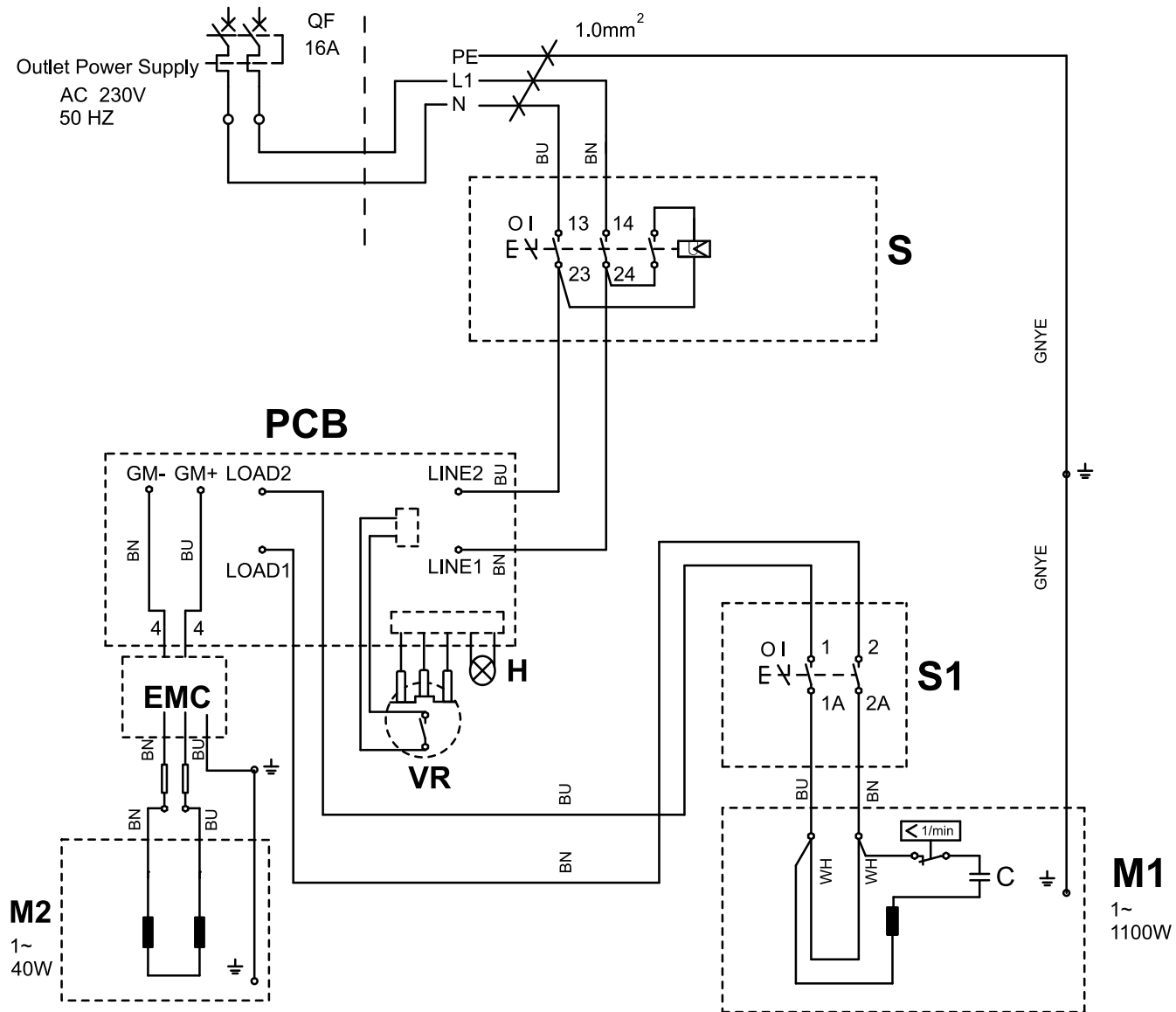


## JWDS-1632-M Infeed and Outfeed Tables (OPTIONAL) – Parts List

Index No	Part No	Description	Size	Qty
.....	723521.....	Infeed/Outfeed Tables (includes #1-8) .....	.....	.....
1.....	JWDS1632-401 .....	Extension Table .....	.....	2
2.....	TS-1550061.....	Flat Washer .....	8.3 x 18 x 1.5T.....	12
3.....	TS-1504031.....	Socket Head Cap Screw .....	M8 x 1.25P x 16L .....	4
4.....	JWDS1632-404 .....	Rear-Right Table Bracket.....	.....	1
5.....	TS-1504021.....	Socket Head Cap Screw .....	M8 x 1.25P x 12L.....	8
6.....	JWDS1632-405 .....	Rear-Left Table Bracket.....	.....	1
7.....	JWDS1632-406 .....	Front-Right Table Bracket .....	.....	1
8.....	JWDS1632-407 .....	Front-Left Table Bracket.....	.....	1



**JWDS-1632-M.....723520KM.....1~230V, 50Hz**



	<b>colour of strands</b>	<b>Litzenfarben</b>	<b>couleur des cordons</b>
<b>BK</b>	<b>black</b>	<b>schwarz</b>	<b>noir</b>
<b>WH</b>	<b>white</b>	<b>weiß</b>	<b>blanc</b>
<b>BU</b>	<b>blue</b>	<b>blau</b>	<b>bleu</b>
<b>YE</b>	<b>yellow</b>	<b>gelb</b>	<b>jaune</b>
<b>RD</b>	<b>red</b>	<b>rot</b>	<b>rouge</b>
<b>BN</b>	<b>brown</b>	<b>braun</b>	<b>brun</b>
<b>GY</b>	<b>grey</b>	<b>grau</b>	<b>gris</b>
<b>GNYE</b>	<b>green-yellow</b>	<b>grün-gelb</b>	<b>vert-jaune</b>
<b>OG</b>	<b>orange</b>	<b>orange</b>	<b>orange</b>
<b>VT</b>	<b>violet</b>	<b>violett</b>	<b>violet</b>

	<b>meaning of symbol</b>	<b>Bedeutung der Zeichen</b>	<b>interprétation</b>
<b>M1</b>	<b>motor</b>	<b>Motor</b>	<b>moteur</b>
<b>M2</b>	<b>motor</b>	<b>Motor</b>	<b>moteur</b>
<b>S</b>	<b>switch</b>	<b>Schalter</b>	<b>interrupteur</b>
<b>S1</b>	<b>switch</b>	<b>Schalter</b>	<b>interrupteur</b>
<b>C</b>	<b>condenser</b>	<b>Kondensator</b>	<b>condensateur</b>
<b>VR</b>	<b>potentiometer</b>	<b>Potentiometer</b>	<b>potentiomètre</b>
<b>EMC</b>	<b>filter</b>	<b>Filter</b>	<b>filtre</b>
<b>PCB</b>	<b>circuit board</b>	<b>Leiterplatte</b>	<b>carte circuit</b>
<b>H</b>	<b>indication light</b>	<b>Anzeigelicht</b>	<b>La lumière d'indication</b>

**This page is intentionally blank**



JPW (Tool) AG  
Tämperlistrasse 5, CH-8117 Fällanden  
Schweiz | Suisse | Svizzera | Switzerland