

J E T

MBS-56CS

Metal Working Bandsaw

50000320M

230/50/1

**PARTS LIST
ERSATZTEILLISTE
LISTE DE PIECES**

WMH Tool Group AG

Bahnstrasse 24, CH – 8603 Schwerzenbach

www.wmhtoolgroup.ch; info@wmhtoolgroup.ch

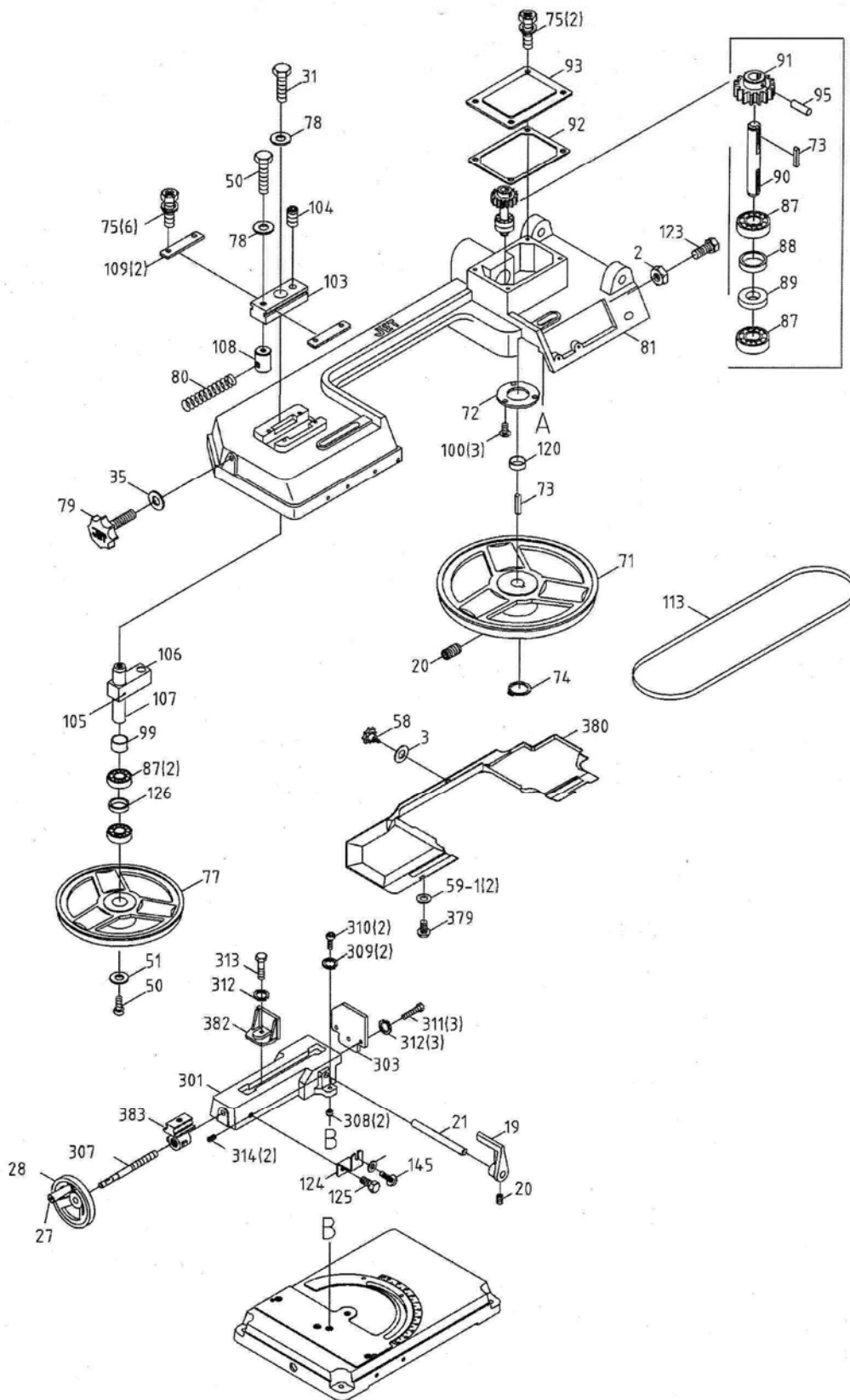
Tel +41 (0) 44 806 47 48

Fax +41 (0) 44 806 47 58

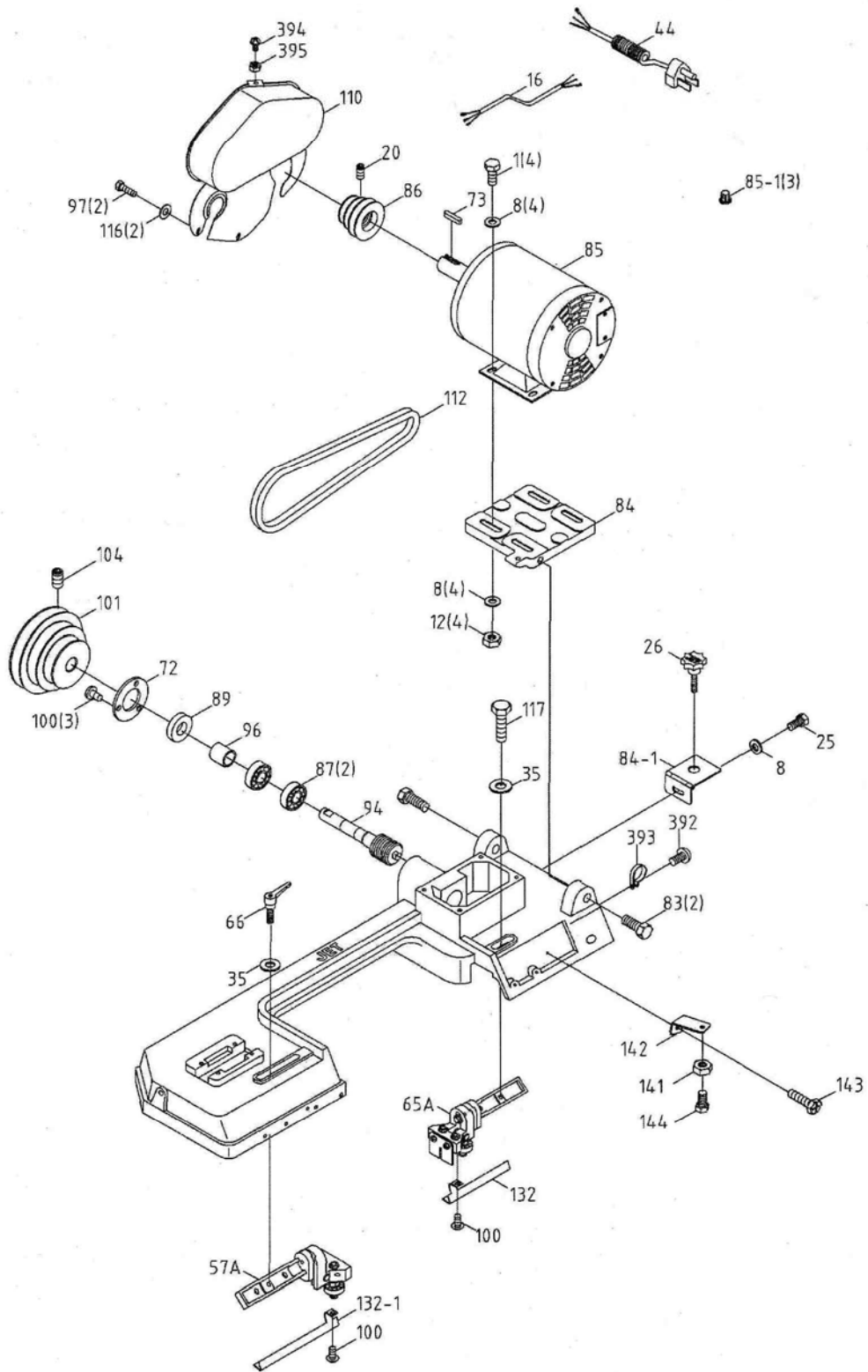
P-50000320M 08/06



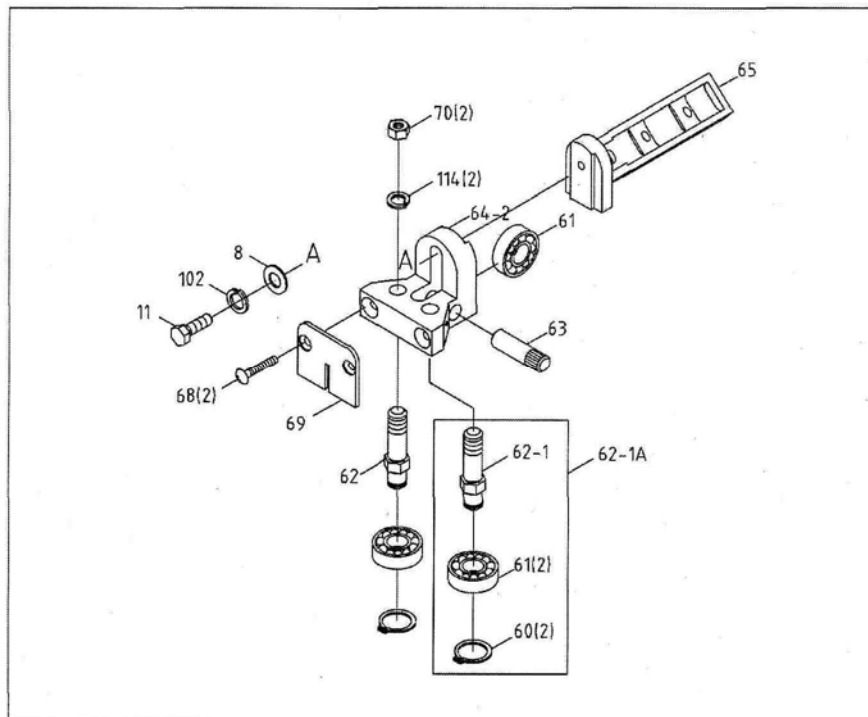
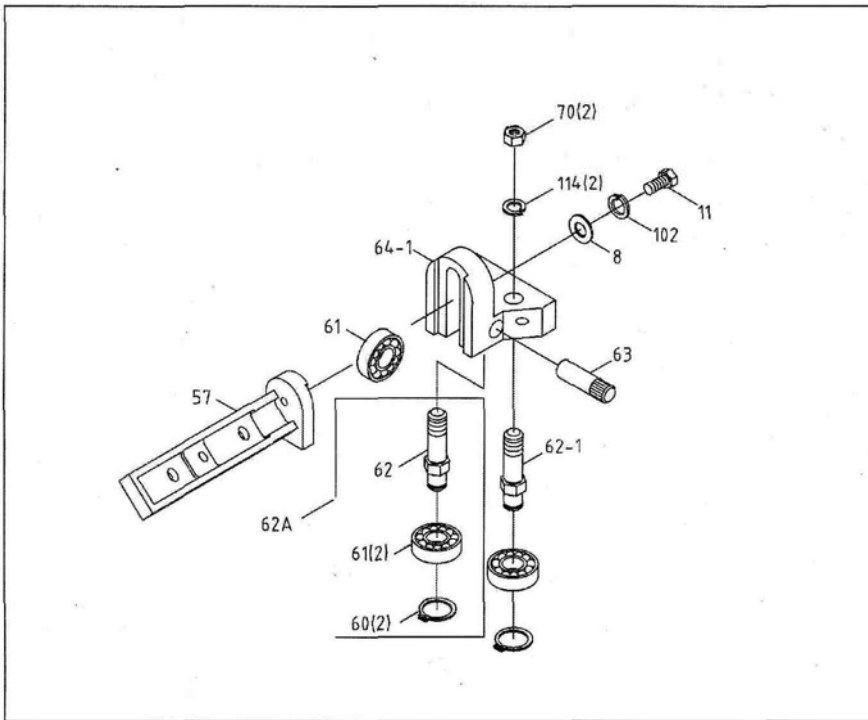
Breakdown for Bow Assembly



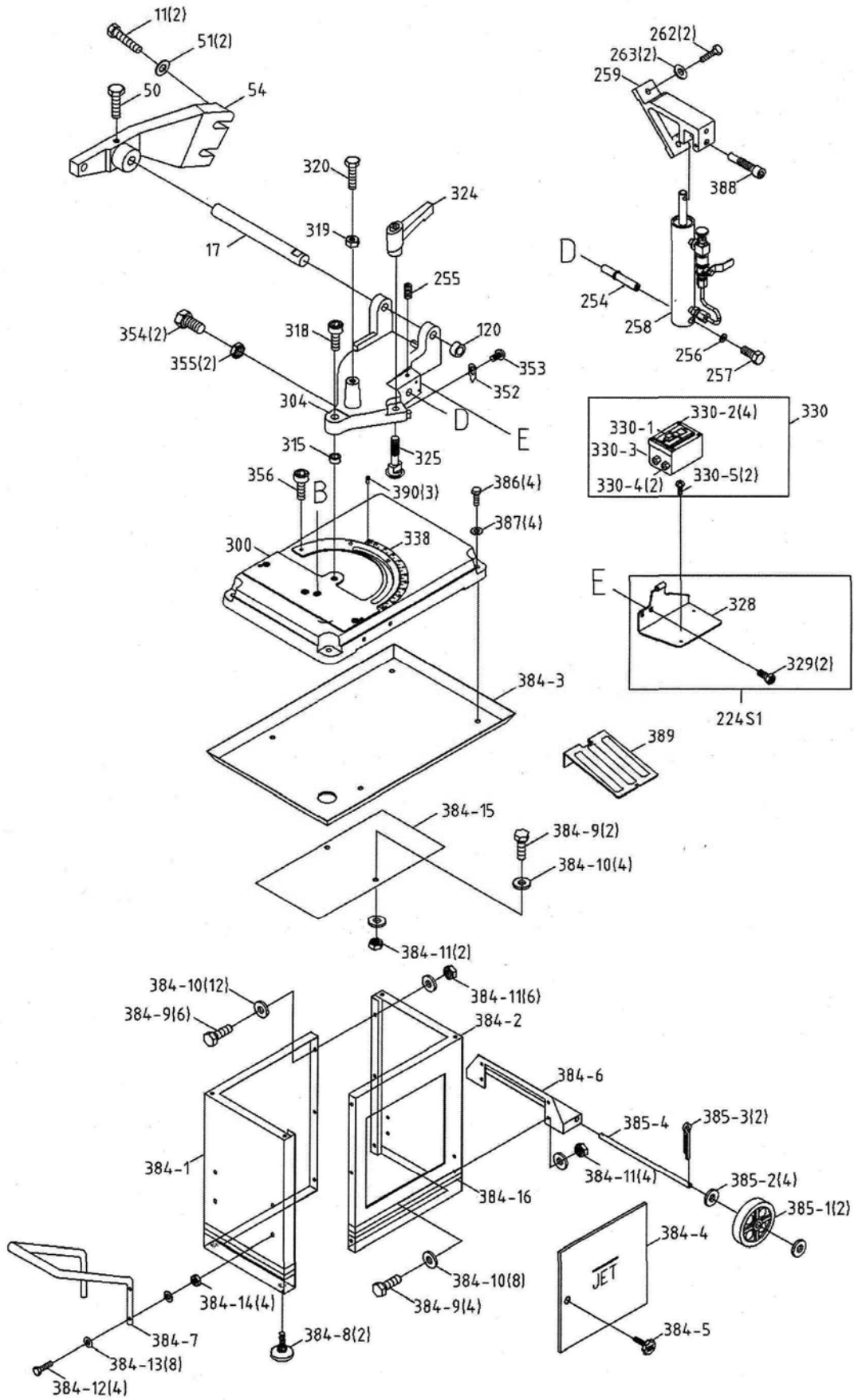
Breakdown for Bow Assembly



Breakdown for blade guide Assembly



Breakdown for Base Assembly



Parts List for the MBS-56CS Bandsaw

Index No.	Part No.	Description	Size	Qty.
1	TS-0051031	Hex Cap Bolt	5/16"x3/4"	4
2	TS-0561011	Hex Nut	1/4"	1
3	TS-0680021	Flat Washer	1/4"	4
8	TS-0680031	Flat Washer	5/16"	11
11	TS-0051051	Hex Cap Bolt	5/16"x1"	4
12	TS-0561021	Hex Nut	5/16"	4
16	HVBS462-016	Electric Cord		1
17	HVBS462-017	Pivoting Rod		1
19	HVBS462-019	Stock Stop		1
20	TS-0270021	Socket Set Screw	5/16"x5/16"	4
21	HVBS462-021	Stock Stop Rod		1
24	TS-0561021	Hex Nut	5/16"	1
25	TS-0051031	Hex Cap Bolt	5/16"x3/4"	1
26	HVBS56M-026E	Plum Knob		1
27	HVBS462-027	Wheel Handle		1
28	HVBS462-028	Hand Wheel		1
31	HVBS56M-031	Screw	5/16"x1"	1
35	TS-0680041	Flat Washer	3/8"x1"	3
44	HB56M-044	Electric Cable		1
50	TS-0081031	Hex Cap Bolt	5/16"x3/4"	3
51	TS-0680031	Flat Washer	5/16"	3
54	HVBS56M-054	Pivot Bracket		1
57	HVBS56M-057	Adjustable Bracket LH		1
57A	HVBS56M-057A	Adjustable Bracket Assembly LH		1
58	HVBS462-058	Knob	1/4"	1
60	HVBS462-060	C-Clip	S10	4
61	BB-6000ZZ	Ball Bearing	6000ZZ	6
62	HVBS462-062	Guide Pivot		2
62A	HVBS462-062A	Center Shaft Assembly (Includes: #60-62)		1
62-1	HVBS462-062-1	Centrifugal Guide Pivot		2
62-1A	HVBS462-062-1A	Eccentric Shaft Assembly (Includes: #60,61,62-1)		1
63	HVBS462-063	Bearing Shaft Pin		2
64-1	HVBS462-064-1	Blade Seat Left		1
64-2	HVBS462-064-2	Blade Seat Right		1
65	HVBS56M-065	Adjustable Bracket RH		1
65A	HVBS56M-065A	Adjustable Bracket Assembly RH		1
66	HVBS56M-066	Lock Knob		1
68	TS-0813021	Flat Head Machine Screw	1/4"X3/8"	2
69	HVBS462-069	Deflector Plate		1
70	TS-0561031	Hex Nut	3/8"	4
71	HVBS462-071	Blade Wheel Drive		1
72	HVBS462-072	Bearing Cover		2
73	HVBS462-073	Key	5x5x25	3
74	HVBS56M-060	C-Clip	S15	1
75	HVBS462-075	Hex Cap Bolt (w/Washer)	1/4"x1/2"	6
77	HVBS462-077	Idle Blade Wheel		1
78	TS-0680031	Flat Washer	5/16"	2
79	HVBS462-079	Blade Tension Knob	3/8"	1
80	HVBS462-080	Spring		1
81	HVBS56M-081	Saw Bow		1
83	TS-0070031	Cap Screw	1/2"x1-1/2"	2
84	HVBS56M-084	Motor Mount Plate		1
84-1	HVBS56M-084-1	Tension Bracket		1

Index No.	Part No.	Description	Size	Qty.
85	HVBS463-085	Motor	1/2HP 1ph	1
	HVBS463-085-01	Capacitor Cover (not shown)		1
	HVBS462-085-02	Capacitor (not shown)		1
86	HVBS462-086	Motor Pulley		1
87	BB-6202ZZ	Ball Bearing	6202ZZ	6
88	HVBS462-088	Bearing Bushing		1
89	OS-15375	Oil Seal		2
90	HVBS462-090	Transmission Wheel Shaft		1
91	HVBS462-091	Worm Gear		1
92	HVBS462-092	Gear Box Gasket		1
93	HVBS462-093	Gear Box Cover		1
94	HVBS462-094	Worm Gear (w/Shaft)		1
95	HVBS462-095	Spring Pin		1
96	HVBS462-096	Bearing Bushing		1
97	TS-0050011	Hex Cap Bolt	1/4"x1/2"	2
97-1	HBS56S-97-1	Washer	1/4"	2
99	HVBS462-099	Spacer		1
100	HVBS462-100	Flat Cross Head Screw	5/32"x3/8"	8
101	HVBS462-101	Worm Gear Pulley		1
102	TS-0720081	Lock Washer	5/16"	2
103	HVBS462-103	Blade Tension Sliding Plate		1
104	TS-0270051	Socket Set Screw	5/16"x1/2"	2
105	HVBS462-105	Spring Pin		1
106	HVBS462-106	Sliding Plate Draw Block		1
107	HVBS462-107	Blade Wheel Shaft		1
108	HVBS462-108	Shaft Block		1
109	HVBS462-109	Blade Tension Sliding Guide		2
110	HVBS462-110	Motor Pulley Cover Assembly		1
112	VB-A22	V-Belt	A22	1
113	414301	Blade		1
114	TS-0680041	Flat Washer	3/8"	4
117	TS-0090061	Hex Screw	3/8"x1-1/4"	1
120	HVBS462-120	Bushing		2
123	TS-0050031	Cap Screw	1/4"x3/4"	1
124	HVBS463-124	Machine Screw	3/16"x3/4"	1
125	TS-0051031	Hex Cap Bolt	5/16"x3/4"	1
126	HVBS462-126	Bushing		1
132	HVBS462-132	Blade Guard-Right		1
132-1	HVBS462-132A	Blade Guard-Left		1
159-1	HBS56S-159-1	Nut		1
141	TS-0561021	Hex. Nut	5/16"	1
142	HBS56S-142	Switch Cut Off Trip		1
143	TS-0050011	Hex Cap Screw	1/4"x1/2"L	1
144	TS-0813021	Flat Head Machine Screw	1/4"x3/8"	2
145	TS-0813021	Flat Head Machine Screw	1/4"x3/8"	1
254	HBS56S-254	Support Rod		1
255	TS-0267032	Socket Set Screw	1/4"x5/16"	1
256	TS-0680011	Flat Washer	3/16"	1
257	HBS56S-257	Hex Cap Bolt	3/16"x3/8"	1
258	HBS56S-258	Cylinder Assembly		1
259	HBS56S-259	Cylinder Upper Support		1
262	TS-0050051	Hex Cap Bolt	1/4"x1"	2
263	TS-0720071	Spring Washer	1/4"	2
300	HBS56S-300	Stand Top		1
301	HBS56S-301	Working table		1
303	HBS56S-303	Wall plate		1

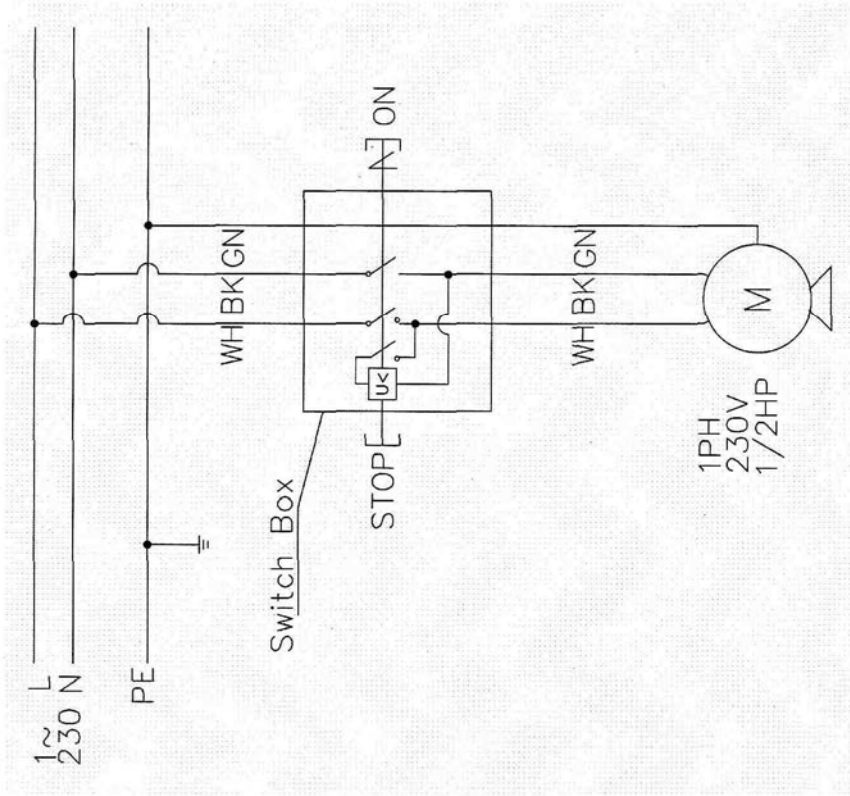
Index No.	Part No.	Description	Size	Qty.
304	HBS56S-304	Swivel Base(Upper)		1
307	HBS56S-307	Acme Screw		1
308	HBS56S-308	Bushing		2
309	TS-0680011	Flat Washer	3/16"	2
310	TS-0208081	Hex. Socket Head Screw	5/16"x1-1/2"	2
311	TS-0081031	Hex Cap Bolt	5/16"x3/4"	3
312	TS-0680032	Flat Washer	5/16"	5
313	TS-0208071	Hex. Socket Head Screw	5/16"x1-1/4"	2
314	TS-0267041	Set Screw	1/4"x3/8"	2
315	HBS56S-315	Positioning Ring		1
316	TS-0561011	Hex Nut	1/2"	1
318	TS-0070071	Hex Cap Bolt	1/2"x2 1/2"L	1
319	TS-0561031	Hex Nut	3/8"	1
320	TS-0070071	Hex Cap Bolt	1/2"x2-1/2"	1
324	HBS56S-324	Handle		1
325	HBS56S-325	Carriage Screw	3/8"	1
328	HBS56S-328	Switch Base		1
329	HBS56S-329	Cross Round Head Screw	3/16"x3/8"	2
330	HBS56S-330	Switch		1
330-1	HBS56S-330-1	ON/OFF Switch		1
330-2	HBS56S-330-2	Screw		4
330-3	HBS56S-330-3	Electrical Box		1
330-4	HBS56S-330-4	Cable Connector		2
330-5	HBS56S-330-5	Screw		2
338	HBS56S-338	Scale		1
350	TS-0570011	Hex Nut	1/4"	4
351	TS-0050031	Hex Cap Bolt	1/4"x3/4"	4
352	HBS56S-352	Scale		1
353	HBS56S-353	Cross Round Head Screw	3/16"x1/2"	1
354	TS-0050051	Hex Cap Bolt	1/4"x1"	2
355	TS-0570011	Hex. Nut	1/4"	2
356	HBS56S-356	Hex Cap Bolt	5/16"x1"	1
379	HVBS462-379	Cross Round Head Screw	1/4"-20x3/8"	2
380	HVBS56M-380	Blade Back Safety Cover		1
382	HBS56S-382	Movable vise plate		1
383	HBS56S-383	Bracket		1
384	HBS56S-384	Stand Complete Assembly		1
384-1	HBS56S-384-1	Side Plate(left)		1
384-2	HBS56S-384-2	Side Plate(Right)		1
384-3	HBS56S-384-3	Chip Pan		1
384-4	HBS56S-384-4	Front Door		1
384-5	HBS56S-384-5	Knob		1
384-6	HBS56S-384-6	Wheel Base		1
384-7	HBS56S-384-7	Hand Rod		1
384-8	HBS56S-384-8	Rubber Head Screw		2
384-9	TS-0051081	Hex. Head Screw	5/16" -18x3/4"	12
384-10	HBS56S-384-10	Flat Washer	5/16"x23xt2mm	24
384-11	HBS56S384-11	Hex.Nut	5/16"-18	12
384-12	TS-0051071	Hex.Head Screw	5/16"-18x1-1/2"	4
384-13	TS-0680031	Flat Washer	5/16" x 23xt2mm	8
384-14	TS-0561021	Hex .Nut	5/16"-18	4
384-15	HBS56S-384-15	Plate		1
384-16	HBS56S-384-16	Color Strip		1
385	HBS56S-385	Wheel Complete Assembly		1
385-1	HBS56S-385-1	Wheel		1
385-2	HBS56S-385-2	Flat Washer	5/8"x30xt3	4

Index No.	Part No.	Description	Size	Qty.
385-3	HBS56S-385-3	Pin	3x25	2
385-4	HBS56S-385-4	Wheel Rod		1
386	TS-0060061	Hex Head Screw	3/8"-16x1-1/4"	4
387	TS-0680041	Flat Washer	3/8"x20xt2	4
388	HBS56S-388	Cap Screw		1
389	HBS56S-389	Protect Plate		1
390	HBS56S-390	Rivet	Ø2x5	3
392	TS-081C022	Cross Round Head Screw	3/16"-24x3/8"	1
393	HBS56S-393	Wire Ring		1
394	TS-081C032	Cross Round Head Screw	3/16"-24x1/2"	1
395	HBS56S-395	Hex. Nut	3/16"	1

MBS-56CS

	colour of strands	Litzenfarben	couleur des cordons
BK	black	schwarz	noir
WH	white	weiß	blanc
BU	blue	blau	bleu
YE	yellow	gelb	jaune
RD	red	rot	rouge
BN	brown	braun	brun
GY	grey	grau	gris
GNYE	green-yellow	grün-gelb	vert-jaune
OG	orange	orange	orange
VT	violet	violett	violet

230/50/1



	meaning of symbol	Bedeutung der Zeichen	interprétation
M	motor	Motor	moteur
S	switch	Schalter	interrupteur