

J E T

MBS-712

Metal Working Bandsaw

50000430T

400/50/3

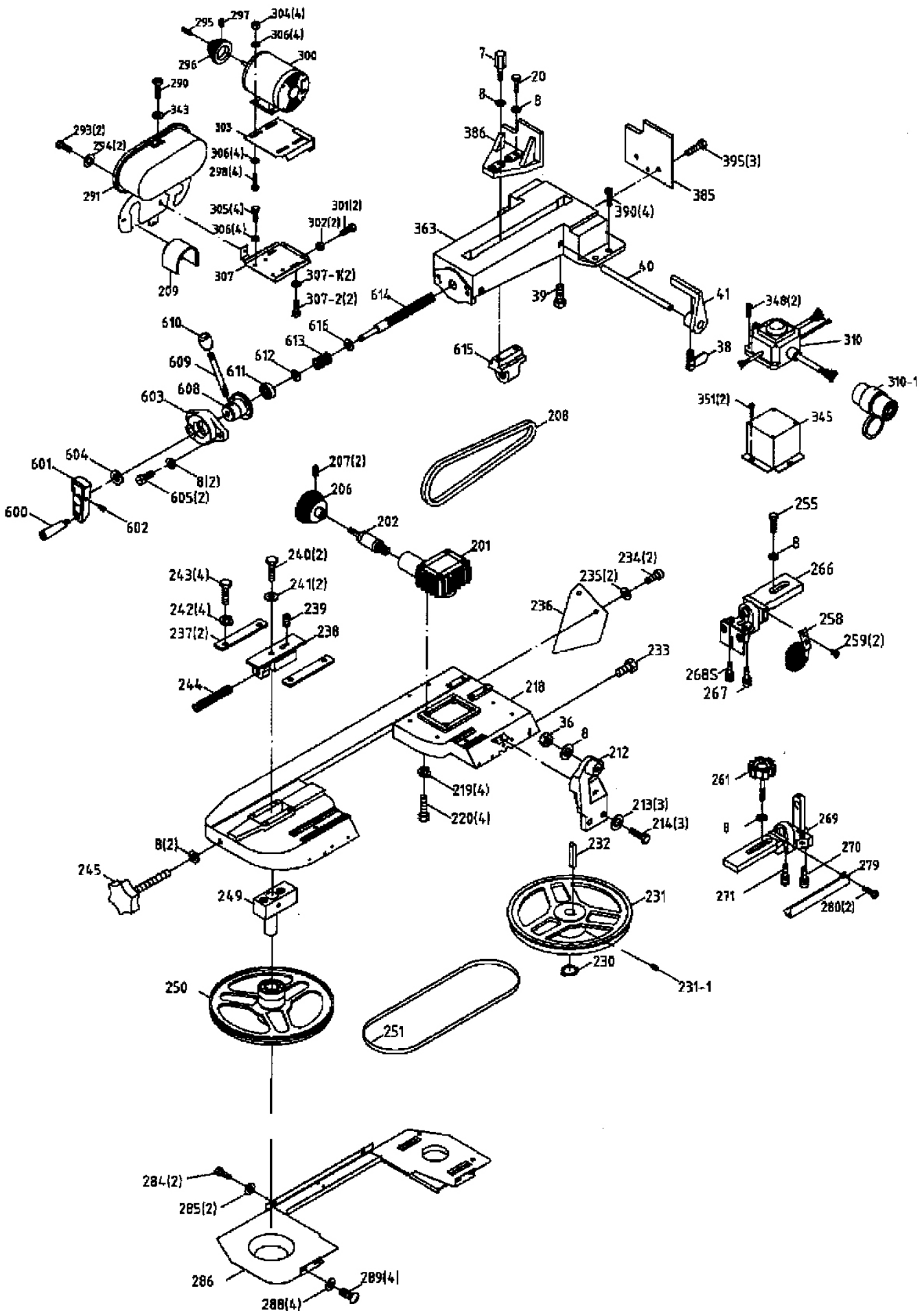
**PARTS LIST
ERSATZTEILLISTE
LISTE DE PIECES**

WMH Tool Group AG
Bahnstrasse 24, CH - 8603 Schwerzenbach
www.wmhtoolgroup.ch; info@wmhtoolgroup.ch
Tel +41 (0) 44 806 47 48
Fax +41 (0) 44 806 47 58

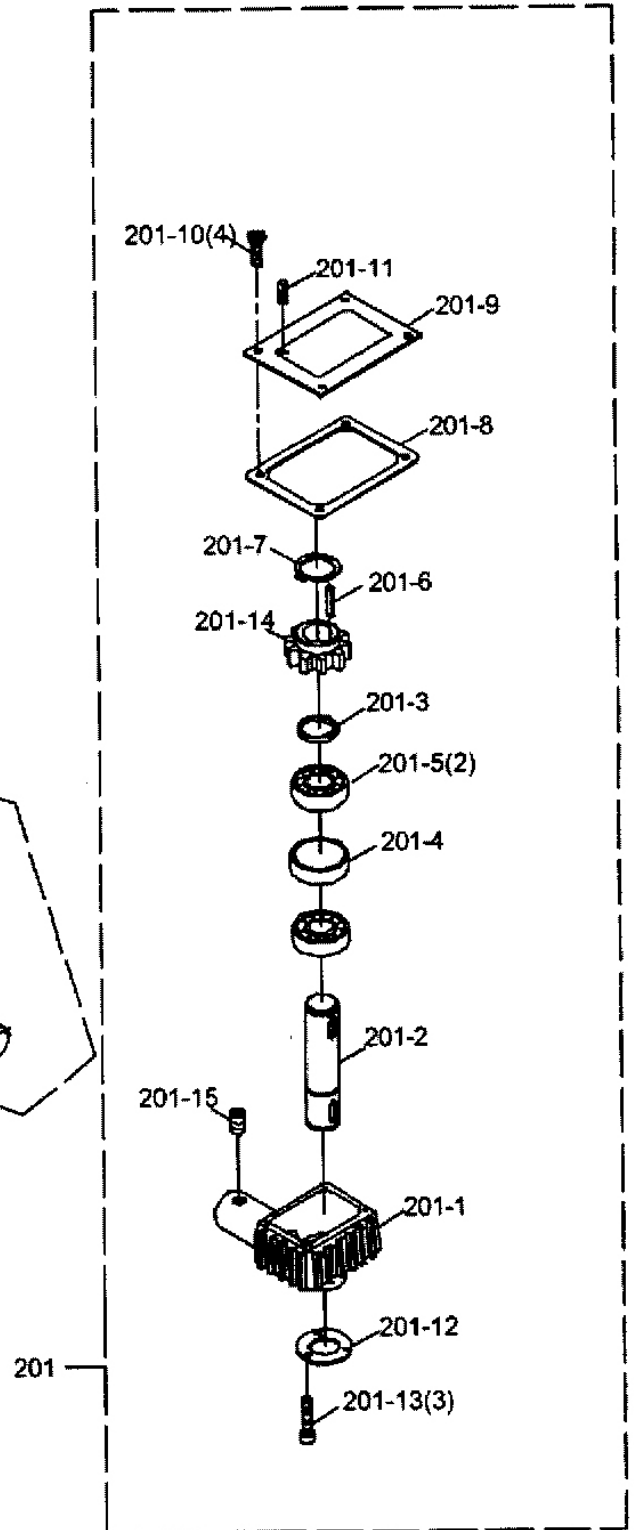
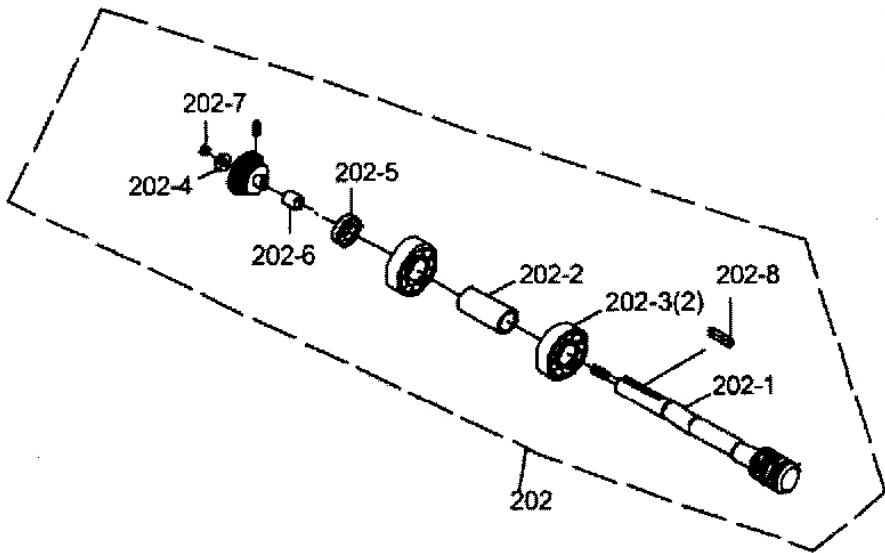
P-50000430T 06/09



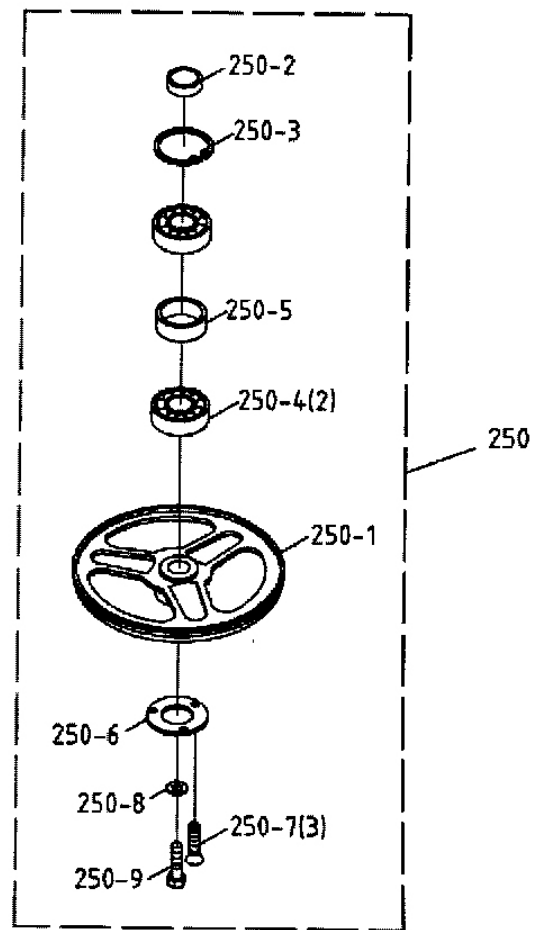
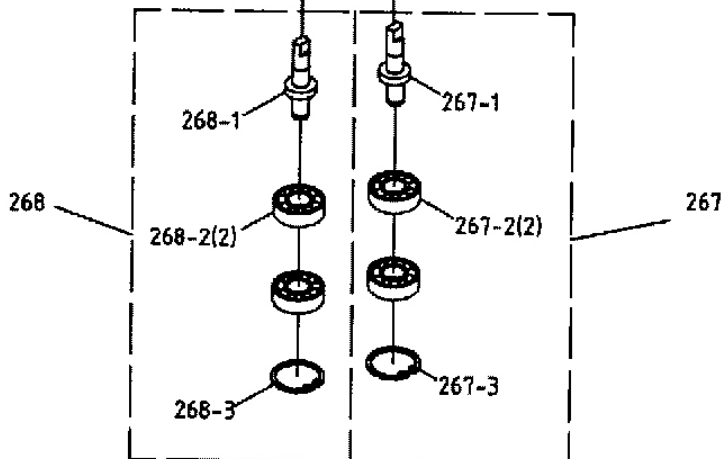
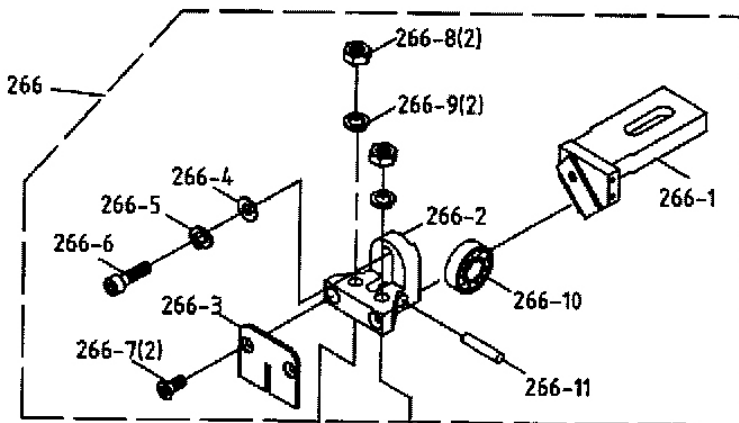
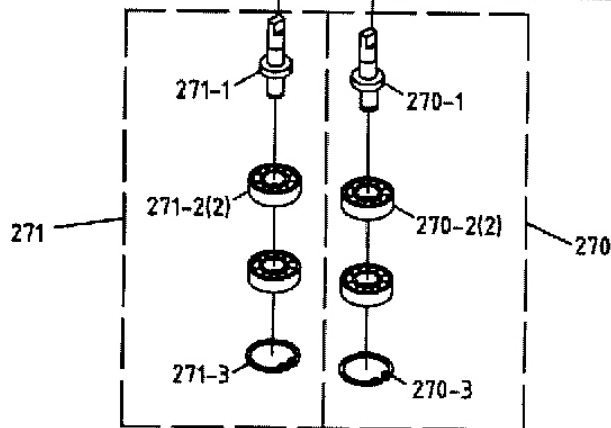
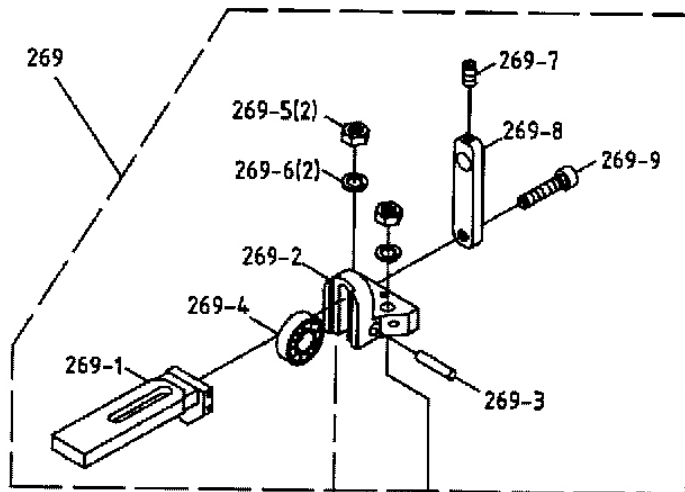
Breakdown for the MBS-712 Head Assembly



Breakdown for the MBS-712 Gear Box Assembly



Breakdown for the MBS-712 Bearing Bracket Assembly



**Parts List for the MBS-712
Head Assembly**

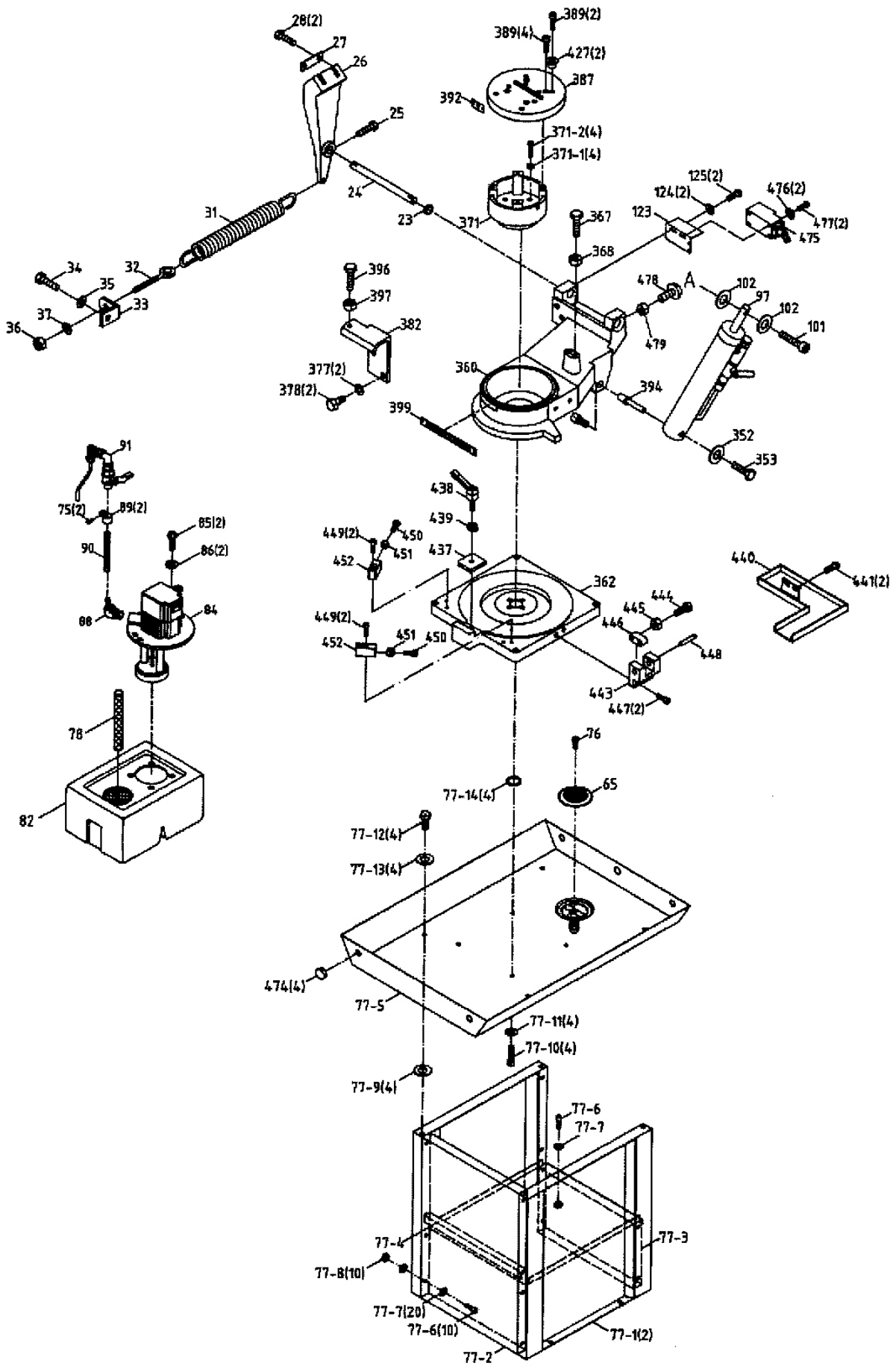
Index No.	Part No.	Description	Size	Qty.
7	MBS712-007	Fixed Bolt		1
8	TS-0680041	Flat Washer	3/8"	9
20	TS-0060071	Hex Cap Screw	3/8" x 1-1/2"	1
36	TS-0570031	Hex Nut	3/8"	1
38	MBS712-038	Thumb Screw		1
39	TS-0051051	Hex Cap Screw	5/16" x 1"	1
40	MBS712-040	Stock Stop Rod		1
41	MBS712-041	Stock Block		1
201	MBS712-201GBCA	Gear Box Complete Assembly (included #201A thru #202A and #206, #207)		1
201A	MBS712-201A	Gear Box Assembly (#201-1~201-15)		1
201-1	MBS712-201-1	Gear Box		1
201-2	MBS712-201-2	Transmission Wheel Shaft		1
201-3	MBS712-210-3	Bushing		1
201-4	MBS712-201-4	Bushing		1
201-5	MBS712-201-5	Bearing	6205LLU	2
201-6	MBS712-201-6	Key	6 x 6 x 20	1
201-7	MBS712-201-7	C-Retainer Ring	S25	1
201-8	MBS712-201-8	Gear Box Gasket		1
201-9	MBS712-201-9	Gear Box Cover		1
201-10	MBS712-201-10	Cross Socket Hex Cap Screw	1/4" x 5/8"	4
201-11	MBS712-201-11	Vent Plug	M8 x P1	1
201-12	MBS712-201-12	Bearing Cover		1
201-13	MBS712-201-13	Cross Round Head Screw	3/16" x 3/8"	3
201-14	MBS712-201-14	Worm Gear		1
201-15	TS-0270051	Socket Set Screw	5/16" x 1/2"	1
202A	MBS712-202A	Worm Gear Shaft Assembly (#202-1~202-8)		1
202-1	MBS712-202-1	Worm Shaft		1
202-2	MBS712-202-2	Bearing Bushing		1
202-3	MBS712-202-3	Bearing	6003LLU	2
202-4	TS-0680061	Flat Washer	1/2"	1
202-5	MBS712-202-5	Hex Nut	M42xP2	1
202-6	MBS712-202-6	Bushing		1
202-7	MBS712-202-7	Lock Nut	1/2"-12	1
202-8	MBS712-202-8	Key	5x5x30	1
206	MBS712-206	Spindle Pulley		1
207	TS-0267042	Socket Set Screw	1/4" x 3/8"	2
208	MBS712-208	V-Belt	3V x 270	1
209	MBS712-209	Cover		1
212	MBS712-212	Cylinder Upper Support		1
213	TS-0680031	Flat Washer	5/16"	3
214	TS-0081031	Hex Cap Screw	5/16" x 3/4"	3
218	MBS712-218	Body Frame		1
219	TS-0720091	Spring Washer	3/8"	4
220	TS-0060061	Hex Cap Screw	3/8" x 1-1/4"	4
230	MBS712-230	C-Retainer Ring	S25	1
231	MBS712-231	Drive Wheel	FC25	1
231-1	TS-0267041	Socket Set Screw	1/4" x 3/8"	2
232	MBS712-232	Key	6x6x20	1
233	TS-0051051	Hex Cap Screw	5/16" x 1"	2

Index No.	Part No.	Description	Size	Qty.
234	MBS712-234	Cross Socket Hex Cap Screw	1/4" x 5/8"	2
235	TS-0680021	Flat Washer	1/4"	2
236	MBS712-236	Support Plate		1
237	MBS712-237	Sliding Plate		2
238	MBS712-238	Blade Tension Sliding Block		1
239	TS-0270061	Socket Set Screw	5/16" x 5/8"	1
240	TS-0051071	Hex Cap Screw	5/16" x 1-1/2"	2
241	TS-0680031	Flat Washer	5/16"	2
242	TS-0720081	Spring Washer	5/16"	4
243	TS-0081031	Hex Cap Screw	5/16" x 3/4"	4
244	MBS712-244	Spring		1
245	MBS712-245	Blade Adjustable Knob		1
249	MBS712-249	Shaft Assembly		1
250A	MBS712-250A	Idler Wheel Assembly (#250-1~#250-9)		1
250-1	MBS712-250-1	Idler Wheel		1
250-2	MBS712-250-2	Bushing		1
250-3	MBS712-250-3	C-Retainer Ring	R35	1
250-4	MBS712-250-4	Ball Bearing	6202ZZ	2
250-5	MBS712-250-5	Bushing		1
250-6	MBS712-250-6	Bearing Cover		1
250-7	MBS712-250-7	Flat Cross Head Screw	3/16" x 3/8"	3
250-8	TS-0680031	Flat Washer	5/16"	1
250-9	TS-0081031	Hex Cap Screw	5/16" x 3/4"	1
251	MBS712-251	Blade (6-10T)	0.032"x3/4"x93"	1
255	TS-0060071	Hex Cap Screw	3/8" x 1-1/2"	1
258	MBS712-258	Brush Assembly		1
259	MBS712-259	Cross Round Head Screw	3/16" x 3/8"	2
261	MBS712-261	Blade Adjustable Knob		1
266A	MBS712-266A	Adjustable Bracket Assembly (Rear)(#266-1~266-11)		1
266-1	MBS712-266-1	Adjustable Bracket (Rear)		1
266-2	MBS712-266-2	Blade Adjustable (Rear)		1
266-3	MBS712-266-3	Deflector Plate		1
266-4	TS-0680031	Flat Washer	5/16"	1
266-5	TS-0720081	Spring Washer	5/16"	1
266-6	TS-0208071	Socket Head Cap Screw	5/16" x 1-1/4"	1
266-7	MBS712-266-7	Flat Cross Head Screw	1/4" x 1/2"	2
266-8	TS-0561032	Hex Nut	3/8"UNF	2
266-9	TS-0720091	Spring Washer	3/8"	2
266-10	MBS712-266-10	Bearing	6000ZZ	1
266-11	MBS712-266-11	Bearing Pin		1
267A	MBS712-267A	Guide Pivot Assembly (#267-1~#267-3)		1
267-1	MBS712-267-1	Guide Pivot		1
267-2	MBS712-267-2	Bearing	6000ZZ	2
267-3	MBS712-267-3	C-Retainer Ring	S10	1
268A	MBS712-268A	Bearing Shaft Assembly (#268-1~268-3)		1
268-1	MBS712-268-1	Bearing Shaft		1
268-2	MBS712-268-2	Bearing	6000ZZ	2
268-3	MBS712-268-3	C-Retainer Ring	S10	1
269A	MBS712-269A	Adjustable Bracket (Front) (#269-1~269-9)		1
269-1	MBS712-269-1	Adjustable Bracket (Front)		1
269-2	MBS712-269-2	Blade Adjustable (Front)		1
269-3	MBS712-269-3	Bearing Pin		1
269-4	MBS712-269-4	Bearing	6000ZZ	1

Index No.	Part No.	Description	Size	Qty.
269-5	TS-0561032	Hex Nut	3/8"UNF	2
269-6	TS-0720091	Spring Washer	3/8"	2
269-7	TS-0267041	Socket Set Screw	1/4" x 3/8"	1
269-8	MBS712-269-8	Nozzle Cock Support		1
269-9	TS-0270101	Socket Set Screw	5/16" x 1-1/4"	1
270A	MBS712-270A	Guide Pivot Assembly (#270-1~270-3)		1
270-1	MBS712-270-1	Guide Pivot (Right)		1
270-2	MBS712-270-2	Bearing	6000ZZ	2
270-3	MBS712-270-3	C-Retainer Ring	S10	1
271A	MBS712-271A	Bearing Shaft Assembly (#271-1~271-3)		1
271-1	MBS712-271-1	Bearing Shaft		1
271-2	MBS712-271-2	Bearing	6000ZZ	2
271-3	MBS712-271-3	C-Retainer Ring	S10	1
279	MBS712-279	Blade Cover (Front)		1
280	MBS712-280	Cross Round Head Screw	5/32" x 1/4"	2
284	MBS712-284	Cross Round Head Screw	1/4" x 1/2"	2
285	TS-0680021	Flat Washer	1/4"	2
286	MBS712-286	Blade Back Cover		1
	HVBS56M-CLB/CE	Caution Label for Blade Back Cover (not shown)		1
288	TS-0680021	Flat Washer	1/4"	4
289	MBS712-289	Cross Round Head Screw	1/4" x 1/2"	4
290	MBS712-290	Cross Socket Hex Cap Screw	1/4" x 1/2"	1
291	MBS712-291	Motor Pulley Cover		1
	HVBS56M-CLB/CE	Caution Label for Pulley Cover (not shown)		1
293	MBS712-293	Cross Socket Hex Cap Screw	1/4" x 5/8"	2
294	TS-0680021	Washer	1/4"	2
295	MBS712-295	Key	5x5x30	1
296	MBS712-296	Motor Pulley		1
297	TS-0267041	Socket Set Screw	1/4" x 3/8"	1
298	MBS712-298	Carriage Screw	5/16" x 3/4"	4
300	MBS712-300AE	Motor	400V, 3Ph	1
	MBS712-300MLE	Motor Label for CE (not shown)	400V, 3Ph	1
301	TS-0051051	Hex Cap Screw	5/16" x 1"	2
302	TS-0561021	Hex Nut	5/16"	2
303	MBS712-303	Motor Mount Plate		1
304	TS-0561021	Hex Nut	5/16"	4
305	TS-0081031	Hex Cap Screw	5/16" x 3/4"	4
306	TS-0680031	Flat Washer	5/16"	12
307	MBS712-307	Motor Mount Bracket		1
307-1	TS-0680031	Flat Washer	5/16"	2
307-2	TS-0051041	Hex Cap Screw	5/16" x 7/8"	2
310	MBS712-310AE	Switchbox complete with cables	400V, 3 Ph	1
310-1	MBS712-310-1	Plug	400V, 5 Pin	1
343	TS-0680021	Flat Washer	1/4"	1
345	MBS712-345	Control Box Base		1
348	MBS712-348	Cross Round Head Screw	M5 x 44	4
351	TS-1521041	Socket Set Screw	M4 x 10	2
363	MBS712-363	Vise Base		1
385	MBS712-385	Vise Jaw Bracket (Rear)		1
386	MBS712-386	Vise Jaw Bracket (Front)		1
390	TS-2279301	Socket Set Screw	M10 x 30	4
395	TS-0051061	Hex Cap Screw	5/16" x 1-1/4"	3
600	MBS712-600	Knob		1

Index No.	Part No.	Description	Size	Qty.
601	MBS712-601	Knob		1
602	TS-0270051	Socket Set Screw	5/16" x 1/2"	1
603	MBS712-603	Pressure Lump		1
604	TS-2360121	Flat Washer	M12	1
605	TS-0090061	Hex Cap Screw	3/8" x 1-1/4"	2
608	MBS712-608	Pressure Shaft		1
609	MBS712-609	Knob W/Shaft		1
610	MBS712-610	Plastic Round Knob		1
611	MBS712-611	Bearing		1
612	MBS712-612	Flat Washer	M12 x t2	1
613	MBS712-613	Spring		1
614	MBS712-614	Acme Screw		1
615	MBS712-615	Acme Nut		1
616	MBS712-616	Flat Washer	M12 x t3	1

Breakdown for the MBS-712 Base Assembly



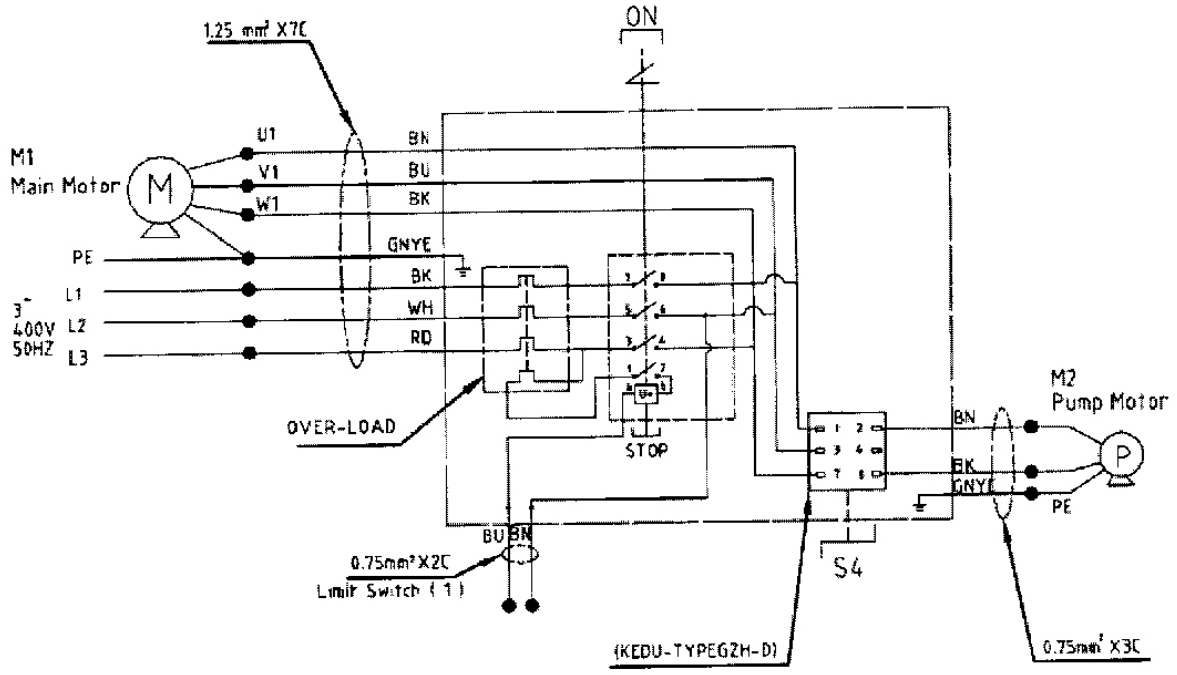
**Parts List for the MBS-712
Base Assembly**

Index No.	Part No.	Description	Size	Qty.
23	MBS712-023	Bushing		1
24	MBS712-24	Support Rod		1
25	TS-0051051	Hex Cap Screw	5/16" x 1"	1
26	MBS712-026	Pivot Bracket		1
27	MBS712-027	Plate		1
28	TS-0060061	Hex Cap Screw	3/8" x 1-1/4"	2
31	MBS712-031	Spring		1
32	MBS712-032	Spring Adjusting Screw		1
33	MBS712-033	Spring Bracket		1
34	TS-0081031	Hex Cap Screw	5/16" x 3/4"	1
35	TS-0680031	Flat Washer	5/16"	1
36	TS-0561031	Hex Nut	3/8"	1
37	TS-0680041	Flat Washer	3/8"	1
65	MBS712-065	Filter		1
75	MBS712-075	Cross Round Head Screw	3/16" x 3/8"	2
76	TS-0050011	Hex Cap Screw	1/4" x 1/2"	1
77A	MBS712-77A	Stand Complete Assembly (#77-1 ~ 77-14)		1
77-1	MBS712-77-1	Stand Leg (Right and Left)		2
77-2	MBS712-77-2	Stand Leg (front)		1
77-3	MBS712-77-3	Stand Leg (Back)		1
77-4	MBS712-77-4	Middle Plate of Stand		1
77-5	MBS712-77-5	Chip Pan		1
77-6	TS-1524051	Socket Head Cap Screw	M8 x 20	11
77-7	TS-1550061	Flat Washer	M8	21
77-8	TS-1540061	Hex Nut	M8	10
77-9	MBS712-77-9	Rubber Washer	φ 11	4
77-10	TS-1524051	Socket Head Cap Screw	M8 x 20	4
77-11	TS-1550061	Flat Washer	M8	4
77-12	TS-1491021	Hex Cap Screw	M10 x 20	4
77-13	TS-1550071	Flat Washer	M10	4
77-14	MBS712-77-14	O-Retainer Ring	φ 2 x φ 10	4
78	MBS712-078	Hose	3/4" x 200	1
82	MBS712-082	Coolant Tank		1
84	MBS712-084AE	Pump	400V, 3Ph	1
	MBS712-084PLE	Pump Label for CE (not shown)		1
85	MBS712-085	Cross Round Head Screw	1/4" x 5/8"	2
86	TS-0680021	Flat Washer	1/4"	2
88	MBS712-088	Coupler	3/8"PT x 5/16"	1
89	MBS712-089	Hose Clip	5/8"	2
90	MBS712-090	Hose	12xID8x2000	1
91	MBS712-091	Nozzle Cock		1
97	MBS712-097	Cylinder Complete Set		1
101	TS-0271141	Socket Set Screw	3/8" x 2-1/2"	1
102	TS-0680041	Flat Washer	3/8"	2
123	MBS712-123	Power Cutting Bracket		1

Index No.	Part No.	Description	Size	Qty.
124	TS-1550031	Flat Washer	M5	2
125	MBS712-125	Cross Round Head Screw	M5 x 10	2
352	TS-0680031	Flat Washer	5/16"	1
353	TS-0081031	Hex Cap Screw	5/16" x 3/4"	1
360	MBS712-360	Swivel Arm		1
362	MBS712-362	Swivel Base		1
367	MBS712-367	Bolt	1/2" x 2-1/2"	1
368	TS-0561051	Hex Nut	1/2"	1
371A	MBS712-371A	Fixed Bracket (#371-1 ~ #371-2)		1
371-1	TS-0720091	Spring Washer	3/8"	4
371-2	TS-0271112	Socket Set Screw	3/8" x 1-1/2"	4
377	TS-0680031	Flat Washer	5/16"	2
378	TS-0081031	Hex Cap Screw	5/16" x 3/4"	2
382	MBS712-382	Bracket		1
387	MBS712-387	Cap		1
389	TS-1524061	Socket Cap Screw	M8 x 25	6
392	MBS712-392	Meter Indicator		1
394	MBS712-394	Cylinder Lower Support		1
396	TS-0051061	Hex Cap Screw	5/16" x 1-1/4"	1
397	TS-0561021	Hex Nut	5/16"	1
399	MBS712-399	Degree-Meter		1
427	MBS712-427	Fix Block		2
437	MBS712-437	Swivel Arm Briquette		1
438	MBS712-438	Knob		1
439	TS-0720091	Spring Washer	3/8"	1
440	MBS712-440	Splash Board		1
441	MBS712-441	Cross Round Head Screw	5/16" x 1/2"	2
443	MBS712-443	Protractor Locating Bracket		1
444	TS-0060091	Hex Cap screw	3/8" x 2"	1
445	TS-0561031	Hex Nut	3/8"	1
446	MBS712-446	Protractor Locating Block		1
447	TS-0051011	Hex Cap screw	5/16" x 1/2"	2
448	MBS712-448	Bearing Pin		1
449	TS-0267102	Socket Set Screw	1/4" x 1-1/4"	4
450	TS-0060091	Hex Cap screw	3/8" x 2"	2
451	TS-0561031	Hex Nut	3/8"	2
452	MBS712-452	Swivel Locating Block		2
474	MBS712-474	Snap Bushing		4
475	MBS712-475	Limit Switch		1
476	MBS712-476	Washer	M4	2
477	MBS712-477	Pan Head Screw	M4 x 25	2
478	MBS712-478	Carriage Screw	5/16" x 3/4"	2
479	TS-0561071	Hex Nut	5/16"	2
**	MBS712-JL	Jet Logo (not shown)		1
**	MBS712-IDE	ID Label for CE (not shown)		1
**	MBS712-GL	Ground Label (not shown)		1
**	601W-05L003	Warning Label for Eye (not shown)		1
**	601W-05L005	Warning Label for Glasses (not shown)		1

MBS-712
50000430T

400/50/3



	colour of strands	Litzenfarben	couleur des cordons
BK	black	schwarz	noir
WH	white	weiß	blanc
BU	blue	blau	bleu
RD	red	rot	rouge
BN	brown	braun	brun
GNYE	green-yellow	grün-gelb	vert-jaune
GN	green	grün	vert

	meaning of symbol	Bedeutung der Zeichen	interprétation
M1	Main motor	Hauptmotor	Moteur principal
M2	Pump motor	Kühlmittelmotor	Moteur pompe
S4	Pump motor switch	Kühlmittel-Schalter	Boution pompe